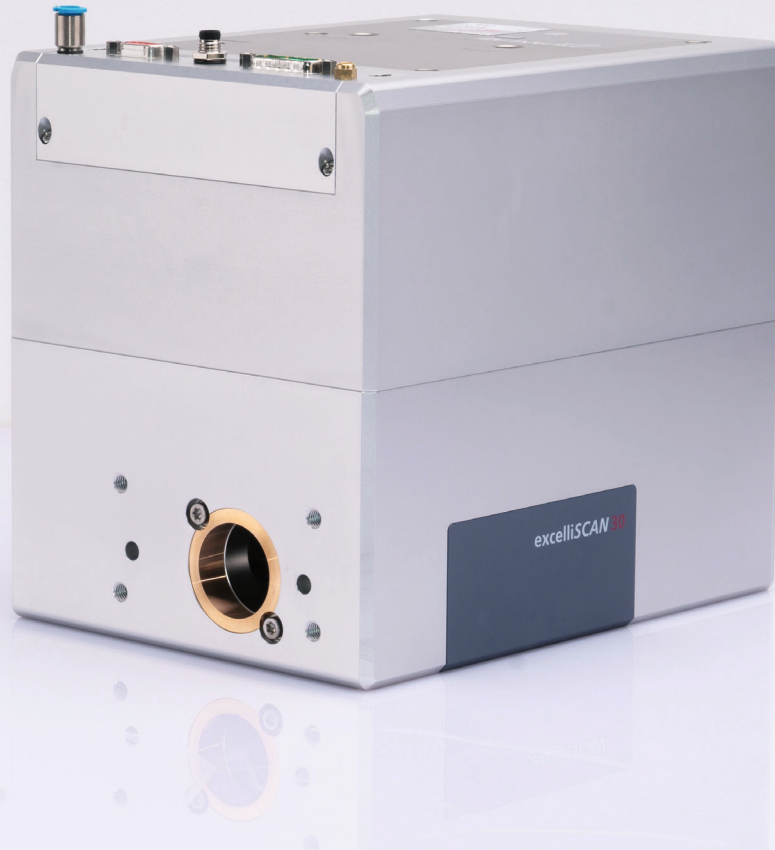


New!



excelliSCAN 30: high contour fidelity, productivity, and process safety

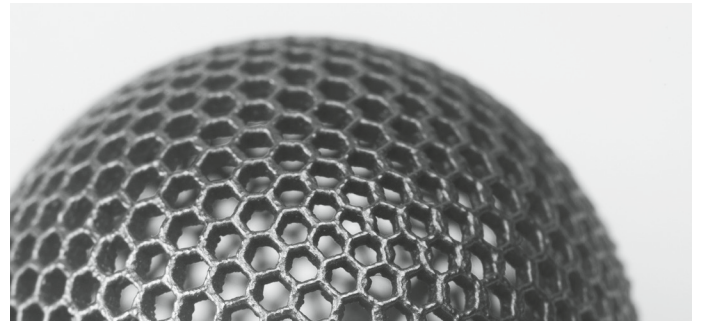
Highest Precision

Outstanding contour fidelity, highest positioning accuracy and long-term stability.



Maximum Productivity

Minimal acceleration and turnaround times significantly reduce process times.



Optimal Process Safety

Interlock and optionally integrated temperature sensors for monitoring the mirrors and the scan system.



Special Features of the excelliSCAN Series

- SCANAhead control
- Optimized mechanics and cooling concept
- Galvanometer scanner with 20-bit encoder technology
- Easy integration and commissioning



SCANAhead Control

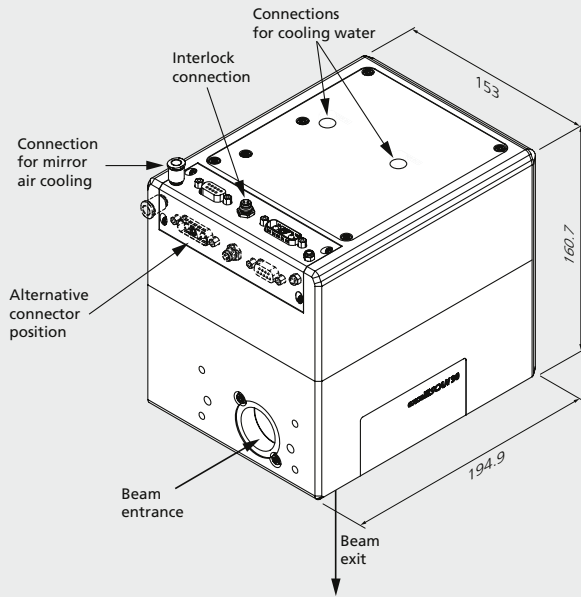
- Fully utilized galvo dynamics for increased throughput
- No tracking error
- Fast marking of circles without necking effects
- Auto-delay function of the RTC6: laser and scanner delays are set automatically

Video showing
SCANAhead:

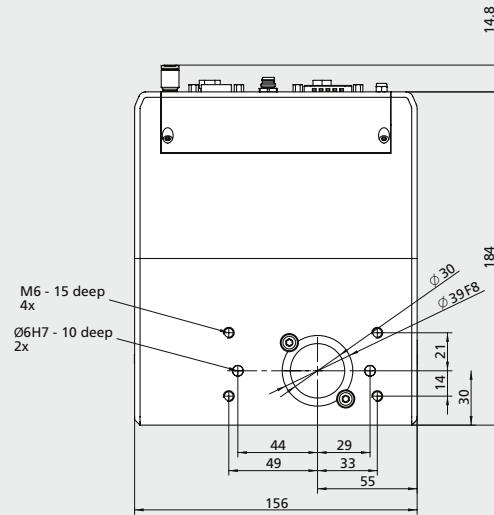


Technical Drawings

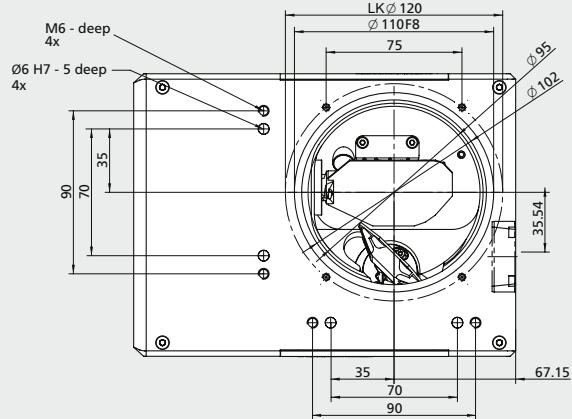
excelliSCAN



Beam Entrance



Beam Exit



11/2021 Information is subject to change without notice. Product photos are non-binding and may show customized features.